

# Bath Vents



- \* Ultra-quiet, U.L. Listed, 115V motor.
- \* Vertical exhaust
- \* Foam damper for a secure seal when not in operation
- \* Simple installation with plug-in motor & lamp, snap-in junction box cover
- \* 50 CFM; 8/Ctn.

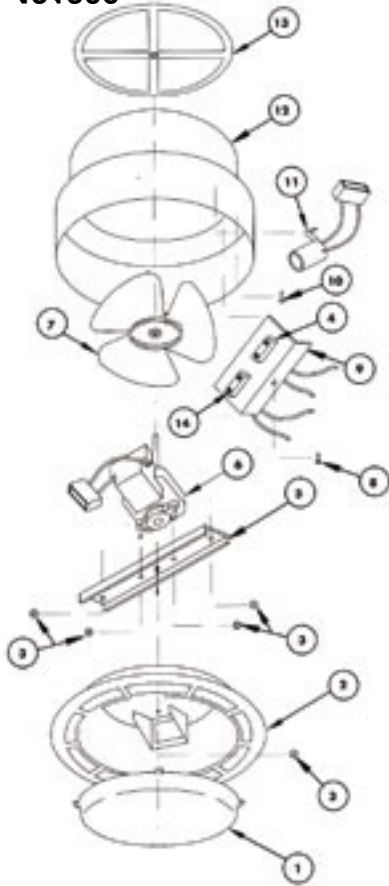


**421206**  
#V2244 w/Light  
10-3/4" Rough Opening



**421201**  
#V2262-50 w/out Light  
7" Rough Opening

421206



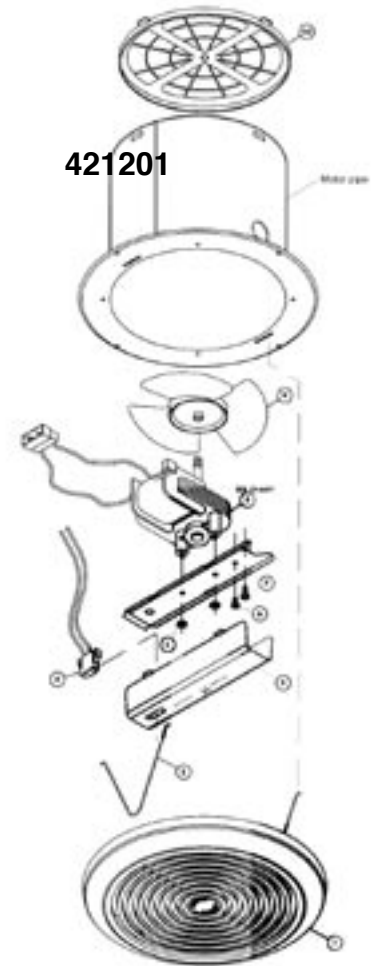
**Replacement Parts for 421206**

- 421207** Plastic Light Lens (#1)
- 421208** Foam Damper Assembly (#13)
- 421401** Blade Only (#7)
- 421204** Motor BCD0388-00 (#6)

**Replacement Parts for 421201**

- 421402** Grill & Spring Assembly (#1 & #2)
- 421401** Blade Only (#9)
- 421204** Motor BCD0338-00 (#8)

421201



**Replacement Parts for Old Style 421206**

- 420103** Motor BDC0190 120 VAC W/O Plug

**Replacement Parts for Old Style 421201**

- 420103** Motor BDC0190 120 VAC W/O Plug

## Grab-N-Go Toilet Package



Complete toilet package with superior box-rim flushing. Includes toilet bowl, tank and tank parts, toilet seat and parts, wax ring, floor bolts, bolt caps, clips and complete installation instructions.

- 370217 White
- 370218 Bone

## Tank to Bowl Bolt Set



2 each solid brass 5/16-18 x 3" bolts, 4 plated steel washers, 2 hex nuts, 2 wing nuts & 4 rubber washers. 72/Ctn.

**372901**

## Two-Piece China Toilets

Easy cleaning vitreous china, excellent low flush performance with anti-siphon, non-corroding ballcock and flush valve. With 2-3/4" fully glazed trapway. Meets or exceeds ANSI, CSA & NOM standards. Accepts standard seats (not included). Plastic bolt caps included. Roughing 12" from center of discharge hole to wall. 1.6 GPF water consumption. For easy installation, set tank to bowl and then to the floor.

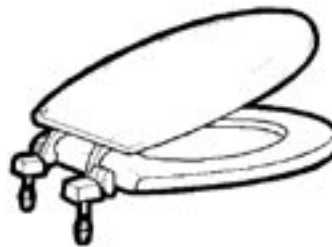


- 370198 White
- 370199 Bone

- 370190 Replacement Bowl Bone
- 370191 Replacement Tank Bone
- 370192 Replacement Bowl White
- 370193 Replacement Tank White

## Toilet Seats

**MANUFACTURED HOME™**  
Toilet seats for modern housing



Economical, light-weight polypropylene.

- 371201 Round White; 6/Ctn.
- 371204 Round Almond; 6/Ctn.
- 371205 Elongated White; 6/Ctn.
- 371200 Nylon Top Mount Hardware (Two Bolts w/Nuts)

## Rear Closet Bolt Set



Two each 1/4 -20 x 1-3/4" brass plated steel bolts, open head nuts, retaining clips and oval washers. 10/Ctn.

**372902**

## Toilet Trip Lever



C.P. single action tank lever. 200/Ctn.

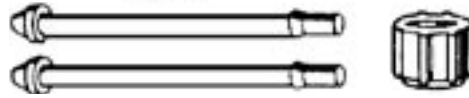
- 373201 Front Mount
- 373202 Side Mount

## Water Supply Lines



- 374415** 3/8" x 12" Ballcock; 10/Ctn.
- 374416** 1/2" x 12" Ballcock; 10/Ctn.
- 374417** 3/4" x 12" Sink
- 374418** 1/2" IPS Sink 12"; 10/Ctn.

## Qest Supply Tubes



- 374420** 3/8"OD x 20"L Closet; 100/Ctn.
- 374421** Ballcock 5/8" Nut; 100/Ctn.

## Sewer Ring

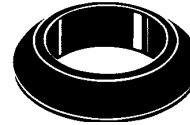


Sponge rubber; 50/Ctn.

**321402**

## Tank to Bowl Gasket

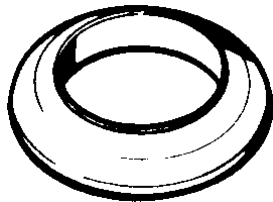
Sponge rubber gasket. Fits regular tank and bowl. 10/Ctn.



**379501**

## Gerber Tank-to-Bowl Gasket

Sponge rubber  
11/16". 10/Ctn.



**379502**

## Wax-Free Toilet Seal



Fits 3" drain pipes and seals on raised floors, wood, tile, linoleum and carpet. No need for flange risers to stacked wax rings; accommodates floors raised above the toilet flange by up to 3/4". Ideal for in-floor radiant heat installations. No more guessing if there is a positive seal. Creates a strong seal to the bottom while 2 sets of flexible ribs form a tight, positive seal to inside of the drain pipe. Toilet can be repositioned as needed, unlike messy wax rings.

**321305** 20/Ctn.



## Wax Bowl Ring



Pure petroleum wax gasket for setting any floor type closet bowl. Stainless bacteria-free wax for a permanent seal. It fits 3" or 4" waste lines.

**321301** 48/Ctn.

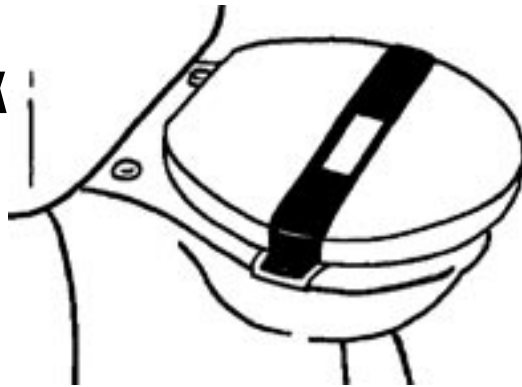
**321302** W/Sleeve; 24/Ctn.

# Plastic Closet Rings



- 320901 Male 3"; 50/Ctn.
- 320902 Female 3"; 50/Ctn.
- 320903 3" x 4" w/Test Cap

# Toilet Seat Lock



Install or remove in minutes; no special tools needed. Not connected to commode, so it will not mar or scratch. Reusable. 24/Ctn.

- 371004 F/Water-Saver 1.6 Gal.
- 371005 F/Elongated Bowl



# Fluidmaster. 400-A Toilet Tank Repair Valve

*Anti-syphon device prevents backflow to protect fresh water supply!*



Adjusts 9-14 inches. Ends noisy toilet tanks and costly inlet leaks that waste water. Exclusive water level adjustment saves money. Meets all plumbing codes. 100/Ctn.

370100

# Fluidmaster. Flusher Fixer Kit



Ends outlet leaks. Installs easily. Corrosion free. Eliminates outdated lift wires & guides. 20/Ctn.

370807

# Fluidmaster. Flush Valve

Vinyl flapper eliminates guides. No ball lift wires, no corrosion at seat. 10/Ctn.

370901



